

MLE Hydraulic-Electric Lift

Heavy Duty / Bellows

Heavy Duty type with up to 4409 lbs maximum load using a high rigidity frame

Heavy Duty type

Load capacity: 330 to 4409 lbs



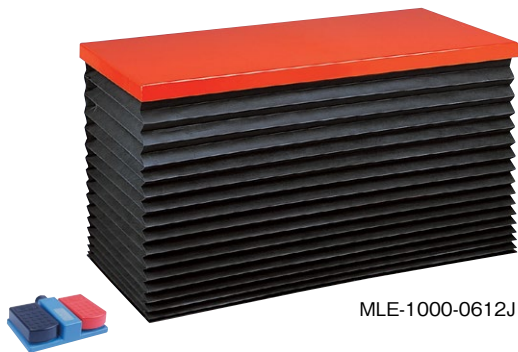
MLE-1000-0612

MAJOR FEATURES OF THE MLE SERIES

- High rigidity frame
- Hydraulic cylinder
- Built-in unit
- 3-phase 220 V & 460 V power supply
- Bellows style full cover (J at the end)
- Overload prevention device
- PC flow control
- With highest position limit switch
- Foot switch cord: 78.7 inch
- Maximum usage frequency: 15 times per hour
- Power cord: 157.5 inch

Heavy Duty type/bellows

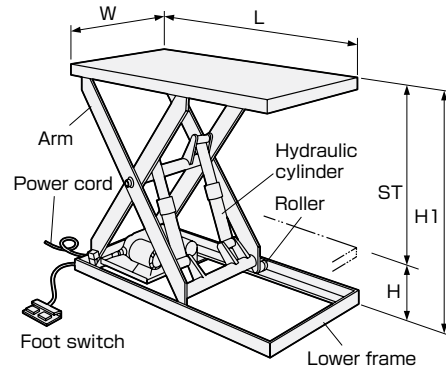
Load capacity: 330 to 4409 lbs



MLE-1000-0612J

SPECIFICATIONS

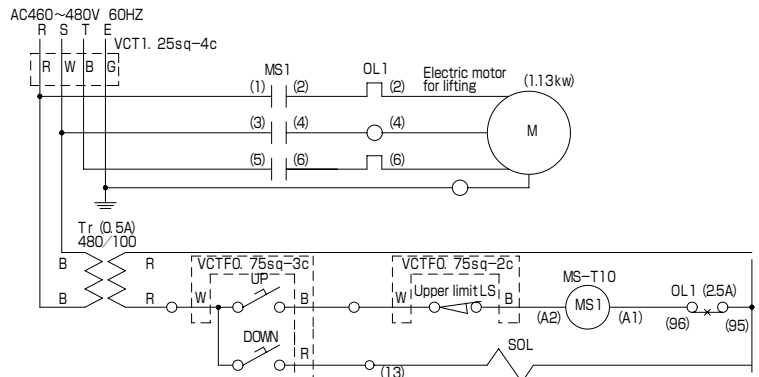
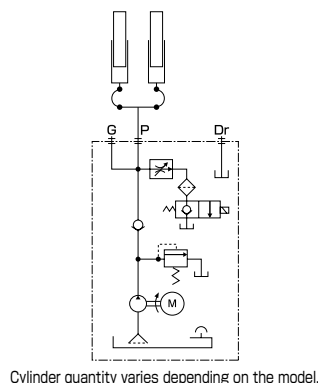
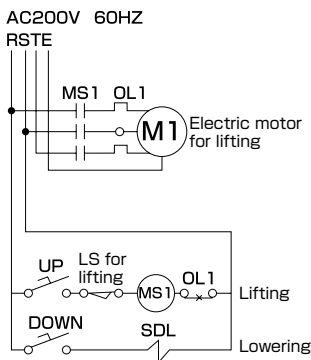
Oil Used Turbine oil: ISO VG32



Electric circuit diagram(220V)

Hydraulic circuit diagram

Electric circuit diagram (460V)



Load capacity: 330 to 4409 lbs

Unit: inch

	Model	Load capacity	Table dimensions (W × L)	Stroke (ST)	Table height (H to H1)	Lifting duration (in seconds)	Motor output (Kw)	Deadweight	
						60Hz			
Standard (220V/Three phase)	MLE-150-0406W	330 lbs	17.7"×23.6"	22.0"	10.2" to 32.3"	3	0.55	178 lbs	
	MLE-150-0606W		23.6"×23.6"					41.0"	185 lbs
	MLE-150-0408W		17.7"×31.5"	185 lbs					
	MLE-150-0608W		23.6"×31.5"	220 lbs					
	MLE-300-0406	661 lbs	17.7"×23.6"	11.0"	6.1" to 17.1"	3		132 lbs	
	MLE-300-0606		23.6"×23.6"					2.05"	152 lbs
	MLE-300-0408		17.7"×31.5"	24.4"					165 lbs
	MLE-300-0608		23.6"×31.5"					171 lbs	
	MLE-500-0509	1102 lbs	19.7"×35.4"	24.4"	6.1" to 30.5"	12		209 lbs	
	MLE-500-0609		23.6"×35.4"					29.5"	216 lbs
	MLE-500-0809		31.5"×35.4"						14
	MLE-500-0909		35.4"×35.4"					33.9"	
	MLE-500-0510		19.7"×41.3"	29.5"					235 lbs
	MLE-500-0610		25.6"×41.3"						16
	MLE-500-0810		31.5"×41.3"	11.8" to 63.0"					
	MLE-500-1010		41.3"×41.3"					15	291 lbs
	MLE-500-0612		23.6"×47.2"		24	268 lbs			
	MLE-500-0812		31.5"×47.2"			0.55		284 lbs	
	MLE-500-0912		35.4"×47.2"	28	317 lbs				
	MLE-500-1212		47.2"×47.2"		32			339 lbs	
	MLE-500-0810W		31.5"×41.3"	41.3"				410 lbs	
	MLE-500-1010W		41.3"×41.3"		1.13	423 lbs			
	MLE-1000-0509		19.7"×35.4"	23.8"		286 lbs			
	MLE-1000-0510		19.7"×41.3"			29.5"		310 lbs	
	MLE-1000-0610	25.6"×41.3"	28	319 lbs					
	MLE-1000-0810	31.5"×41.3"		33.9"	359 lbs				
	MLE-1000-1010	41.3"×41.3"	6.1" to 35.6"		374 lbs				
	MLE-1000-0612	23.6"×47.2"		32	357 lbs				
	MLE-1000-0812	31.5"×47.2"			41.3"	374 lbs			
	MLE-1000-0912	35.4"×47.2"		24		407 lbs			
MLE-1000-1212	47.2"×47.2"	18	429 lbs						
MLE-1000-0615	23.6"×59.1"		1.13		440 lbs				
MLE-1000-0815	31.5"×59.1"	0.55			465 lbs				
MLE-1000-1015	39.4"×59.1"		28	529 lbs					
MLE-1000-1215	47.2"×59.1"			32	551 lbs				
MLE-2000-0612	23.6"×47.2"		27.6"		606 lbs				
MLE-2000-0812	31.5"×47.2"	617 lbs							
Bellows (220V/Three phase)	MLE-150-0609WJ	330 lbs	23.6"×37.4"	41.0"	10.2" to 51.2"	5	0.55	264 lbs	
	MLE-300-0609J	661 lbs	23.6"×37.4"	20.5"	6.1" to 26.6"	5	213 lbs		
	MLE-500-0610J	1102 lbs	25.6"×41.3"	24.4"	6.1" to 30.5"	12	264 lbs		
	MLE-500-0612J		25.6"×47.2"	29.5"	6.1" to 35.6"	14	295 lbs		
	MLE-500-0713J		29.5"×53.1"	33.9"	6.1" to 40.0"	16	337 lbs		
	MLE-1000-0612J	2204 lbs	25.6"×47.2"	29.5"	6.1" to 35.6"	28	370 lbs		
	MLE-1000-0713J		29.5"×53.1"	33.8"	6.1" to 40.0"	32	423 lbs		
	MLE-2000-0713J		4409 lbs	29.5"×53.1"	27.6"	10.0" to 37.6"	18	1.13	771 lbs
Standard (460V/Three phase)	MLE-1000-0509-46	2204 lbs	19.7"×35.4"	23.8"	6.1" to 29.9"	24	0.55	286 lbs	
	MLE-1000-0510-46		19.7"×41.3"					29.5"	310 lbs
	MLE-1000-0610-46		25.6"×41.3"						28
	MLE-1000-0810-46		31.5"×41.3"					33.9"	
	MLE-1000-1010-46		41.3"×41.3"	6.1" to 35.6"					374 lbs
	MLE-1000-0612-46		23.6"×47.2"						32
	MLE-1000-0812-46		31.5"×47.2"	41.3"					
	MLE-1000-0912-46		35.4"×47.2"					24	407 lbs
	MLE-1000-1212-46	47.2"×47.2"	18	429 lbs					
	MLE-1000-0615-46	23.6"×59.1"		1.13	440 lbs				
	MLE-1000-0815-46	31.5"×59.1"	0.55		465 lbs				
	MLE-1000-1015-46	39.4"×59.1"		28	529 lbs				
	MLE-1000-1215-46	47.2"×59.1"			32	551 lbs			
	MLE-2000-0612-46	23.6"×47.2"		27.6"		606 lbs			
MLE-2000-0812-46	31.5"×47.2"	617 lbs							