

# PD Steel Platform Truck

## Folding Handle Type With Stopper

**S**mooth and quiet operation.  
**E**asy glide while traveling.

**MAJOR FEATURES OF THE PD SERIES**

- Same installation pitch for swivel and rigid casters
- Folding handle type
- Front: Swivel casters, Rear: Rigid casters
- Platform: Steel
- Handle: Steel
- Casters: Steel
- Casters: Steel
- Wheels: Rubber
- Mat: PVC

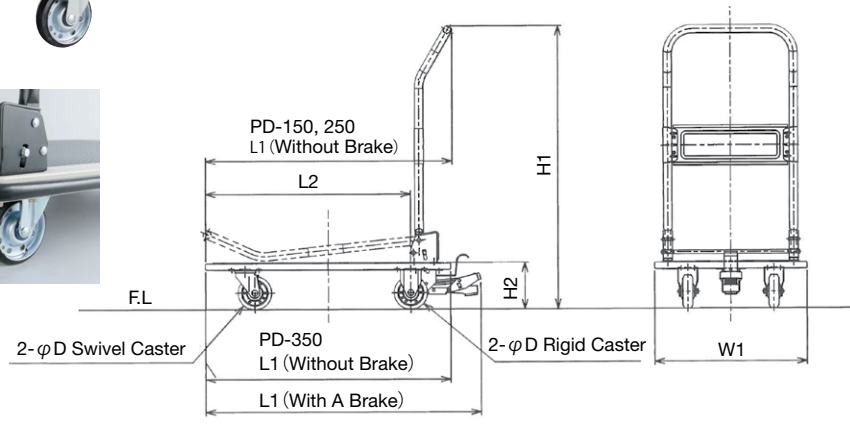
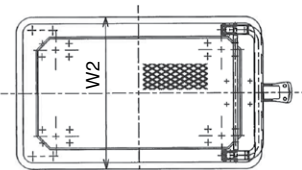


RD-350TS

The push handle can be folded.



PD-150T



**Load capacity:** 331 to 772 lbs

Unit: inch

Model	Load capacity	Table dimensions (W × L)	Loading face W2 × L2 × H2	Handle height H1	Wheels	weight	Brake
PD-150T	331 lbs	18.1"×29.3"	18.1"×24.4"×5.6"	33.7"	Φ 3.9 rubber	24.0 lbs	No
PD-250T	551 lbs	21.3"×33.1"	21.3"×28.8"×5.7"	34.7"	Φ 3.9 rubber	30.6 lbs	No
PD-350T	772 lbs	25.4"×37.2"	25.4"×32.2"×6.9"	33.7"	Φ 4.9 rubber	37.5 lbs	No
PD-150TS	331 lbs	18.1"×32.7"	18.1"×24.4"×5.6"	33.7"	Φ 3.9 rubber	26.2 lbs	Yes
PD-250TS	551 lbs	21.3"×36.7"	21.3"×28.8"×5.1"	34.7"	Φ 3.9 rubber	32.8 lbs	Yes
PD-350TS	772 lbs	25.4"×40.8"	25.4"×32.2"×6.9"	33.7"	Φ 4.9 rubber	33.0 lbs	Yes