

# MLI Mechanical-Electric Lift (Ball Screw, Electric) Heavy Duty

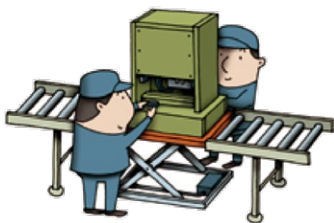
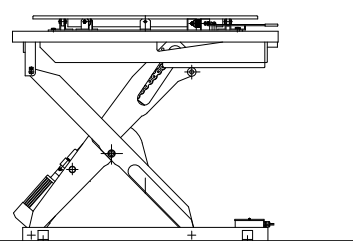
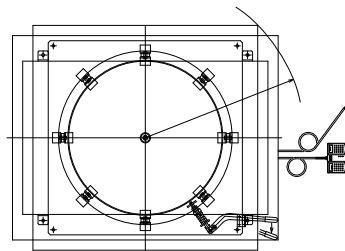
This Series of lift tables are heavy-duty and could be used up to 100,000 cycles continuously.

### MAJOR FEATURES OF THE MLI SERIES

- Low cost equivalent to hydraulic lifts
- Single-phase 115VAC  
Three-phase 220VAC  
Three-phase 460VAC
- Has a maximum/minimum limit switch
- Can be used consecutively up to 100,000 cycles



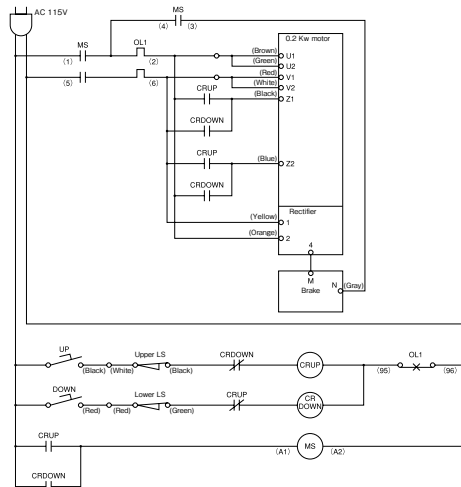
MLI-1000-1113-12TN



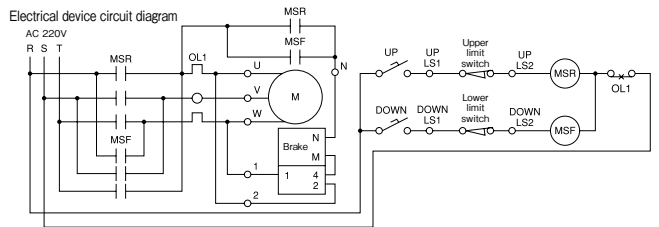
Note) When loading from the side of the table, please do so in the following manner: from side (1) load less than or equal to 1/2 of the load capacity (see table), and from side (2) load less than or equal to 1/4 of the load capacity (see table).

Note) Do not carry out welding operations on top of the table.

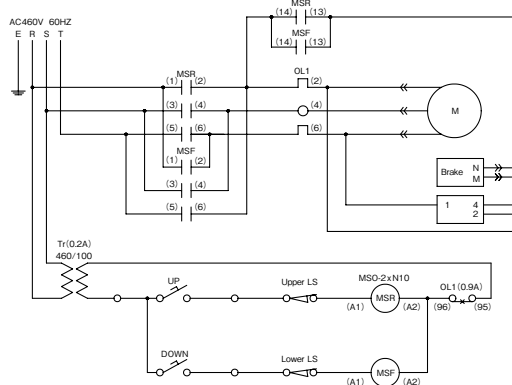
### Electric Circuit Diagram: 115V Specification



### Electric Circuit Diagram: 220V Specification



### Electric Circuit Diagram: 460V Specification



**Load capacity: 220 to 4409 lbs**

Unit: inch

	Model	Load capacity	Table dimensions (W x L)	Stroke (ST)	Table height (H to H1)	Lifting duration (in seconds) 60Hz	Motor output Watts	Deadweight		
<b>Standard</b> (115V/Single phase)	MLI-100-0508W3A	220 lbs	19.7"×31.5"	57.1"	13.8" to 70.9"	26	200	267 lbs		
	MLI-200-0508WA	441 lbs	19.7"×31.5"	38.2"	9.8" to 48.0"	26		227 lbs		
	MLI-300-0409A	661 lbs	15.7"×35.4"	21.5"	6.1" to 27.6"	17		196.2 lbs		
	MLI-300-0410A	661 lbs	15.7"×41.3"	30.5"	6.1" to 36.6"	25		218.3 lbs		
	MLI-300-0509A	661 lbs	19.7"×35.4"	21.5"	6.1" to 27.6"	17		202.8 lbs		
	MLI-300-0510A	661 lbs	19.7"×41.3"	30.5"	6.1" to 36.6"	25		224.9 lbs		
	MLI-300-0609A	661 lbs	23.6"×35.4"	21.5"	6.1" to 27.6"	17		233.7 lbs		
	MLI-300-0610A	661 lbs	25.6"×41.3"	30.5"	6.1" to 36.6"	25		260.1 lbs		
	MLI-300-0809A	661 lbs	31.5"×35.4"	21.5"	6.1" to 27.6"	17		244.7 lbs		
	MLI-300-0810A	661 lbs	31.5"×41.3"	30.5"	6.1" to 36.6"	25		269.0 lbs		
	MLI-500-0510WA	1102 lbs	19.7"×41.3"	47.2"	16.5" to 63.0"	35	400	374.9 lbs		
	MLI-500-0612A	1102 lbs	25.6"×47.2"	33.5"	7.1" to 40.6"	25		374.9 lbs		
	MLI-750-0615A	1654 lbs	23.6"×59.1"	39.0"	9.1" to 48.0"	35		474.1 lbs		
	MLI-1000-0613A	2205 lbs	23.6"×51.2"	30.7"	9.1" to 39.8"	30		383.7 lbs		
	MLI-1000-1013A	2205 lbs	39.0"×52.0"	31.0"	9.0" to 40.0"	35		529.0 lbs		
<b>bellows</b> (115V/Single phase)	MLI-500-0612JA	1102 lbs	25.6"×47.2"	29.5"	6.1" to 35.6"	18	400	370 lbs		
	MLI-500-0713JA	1102 lbs	29.5"×53.1"	33.9"	6.1" to 40.0"	18		419 lbs		
<b>standard</b> (220V/Three phase)	MLI-100-0508W3	220 lbs	19.7"×31.5"	57.1"	13.8" to 70.9"	24	200	267 lbs		
	MLI-200-0508W	441 lbs	19.7"×31.5"	38.2"	9.8" to 48.0"	24		227 lbs		
	MLI-300-0409	661 lbs	15.7"×35.4"	21.5"	6.1" to 27.6"	16		196 lbs		
	MLI-300-0410	661 lbs	15.7"×41.3"	30.5"	6.1" to 36.6"	24		218 lbs		
	MLI-300-0509	661 lbs	19.7"×35.4"	21.5"	6.1" to 27.6"	16		203 lbs		
	MLI-300-0510	661 lbs	19.7"×41.3"	30.5"	6.1" to 36.6"	24		225 lbs		
	MLI-300-0609	661 lbs	23.6"×35.4"	21.5"	6.1" to 27.6"	16		234 lbs		
	MLI-300-0610	661 lbs	25.6"×41.3"	30.5"	6.1" to 36.6"	24		260 lbs		
	MLI-300-0809	661 lbs	31.5"×35.4"	21.5"	6.1" to 27.6"	16		245 lbs		
	MLI-300-0810	661 lbs	31.5"×41.3"	30.5"	6.1" to 36.6"	24		269 lbs		
	MLI-500-0510	1102 lbs	19.7"×41.3"	30.5"	6.1" to 35.6"	18		311 lbs		
	MLI-500-0510W	1102 lbs	19.7"×41.3"	46.5"	15.7" to 63.0"	30		375 lbs		
	MLI-500-0610	1102 lbs	23.6"×41.3"	29.5"	6.1" to 35.6"	18		381 lbs		
	MLI-500-0612	1102 lbs	23.6"×47.2"	31.5"	6.1" to 40.0"	18		375 lbs		
	MLI-750-0615	1654 lbs	23.6"×59.1"	38.9"	9.1" to 48.0"	30		474 lbs		
	MLI-1000-0510	2205 lbs	19.7"×41.3"	19.8"	8.0" to 27.8"	18		328 lbs		
	MLI-1000-0610	2205 lbs	25.6"×41.3"	19.8"	8.0" to 27.8"	18		337 lbs		
	MLI-1000-0612	2205 lbs	23.6"×47.2"	30.8"	9.0" to 39.8"	30		384 lbs		
	MLI-1000-0613	2205 lbs	23.6"×51.2"	30.7"	9.1" to 39.8"	35		384 lbs		
	MLI-1000-1013	2205 lbs	39.0"×52.0"	41.0"	9.0" to 40.0"	35		529 lbs		
	MLI-1100-1010	2500 lbs	41.3"×41.3"	19.7"	8.1" to 27.8"	20		430 lbs		
	MLI-1100-1012	2500 lbs	47.2"×41.3"	30.7"	9.1" to 39.8"	35		485.1 lbs		
	MLI-1100-1212	2500 lbs	47.2"×47.2"	30.7"	9.1" to 39.8"	35		661.5 lbs		
	MLI-1500-1020	3306 lbs	39.4"×78.7"	38.0"	11.0" to 49.0"	28		992 lbs		
	MLI-2000-0914	4409 lbs	35.4"×55.0"	29.6"	11.0" to 40.6"	28		772 lbs		
	<b>Bellows</b> (220V/Three phase)	MLI-500-0612J	1102 lbs	25.6"×47.2"	29.5"	6.1" to 35.6"		18	400	370 lbs
		MLI-500-0713J	1102 lbs	29.5"×53.1"	33.9"	6.1" to 40.0"		18		419 lbs
		MLI-1000-0612J	2205 lbs	25.6"×47.2"	19.8"	8.0" to 27.8"		18		388 lbs
MLI-1000-0713J		2205 lbs	29.5"×53.1"	30.8"	9.0" to 39.8"	30	450 lbs			
<b>Standard</b> (460V/Three phase)	MLI-500-0510-46	1102 lbs	19.7"×41.3"	29.5"	6.1" to 35.6"	18	400	311 lbs		
	MLI-500-0510W-46	1102 lbs	19.7"×41.3"	46.5"	15.7" to 63.0"	30		375 lbs		
	MLI-500-0610-46	1102 lbs	23.6"×41.3"	29.5"	6.1" to 35.6"	18		381 lbs		
	MLI-500-0612-46	1102 lbs	23.6"×47.2"	31.5"	6.1" to 40.0"	18		375 lbs		
	MLI-750-0615-46	1654 lbs	23.6"×59.1"	38.9"	9.1" to 48.0"	30		474 lbs		
	MLI-1000-0510-46	2205 lbs	19.7"×41.3"	19.8"	8.0" to 27.8"	18		328 lbs		
	MLI-1000-0610-46	2205 lbs	25.6"×41.3"	19.8"	8.0" to 27.8"	18		337 lbs		
	MLI-1000-0612-46	2205 lbs	23.6"×47.2"	30.8"	9.0" to 39.8"	30		384 lbs		
	MLI-1000-0613-46	2205 lbs	23.6"×51.2"	30.7"	9.1" to 39.8"	35		384 lbs		
	MLI-1000-1013-46	2205 lbs	39.0"×52.0"	31.0"	9.0" to 40.0"	35		529 lbs		
<b>Bellows</b> (460V/Three phase)	MLI-500-0612J-46	1102 lbs	25.6"×47.2"	29.5"	6.1" to 35.6"	18	400	370 lbs		
	MLI-500-0713J-46	1102 lbs	29.5"×53.1"	33.9"	6.1" to 40.0"	18		419 lbs		
	MLI-1000-0612J-46	2205 lbs	25.6"×47.2"	19.8"	8.0" to 27.8"	18		388 lbs		
	MLI-1000-0713J-46	2205 lbs	29.5"×53.1"	30.8"	9.0" to 39.8"	30		450 lbs		
<b>Turn table</b> (115V/Single phase)	MLI-1000-1113-12-TN	2205 lbs	43.3"×51.2"*1	30.7"	12.0" to 42.7"	35	400	617.4 lbs		

Note)\*1: Turntable dimensions: W 43.3" x H 43.3"

Note) When loading from the side of the table, do so in the following manner: from side ① load less than or equal to 1/2 of the loading capacity (see table), and from side ② load less than or equal to 1/4 of the loading capacity (see table).

Note) Not for use as a welding table.