

# ML Mechanical-Electric Lift (Ball Screw, Electric) Ultra-low Platform / Mini

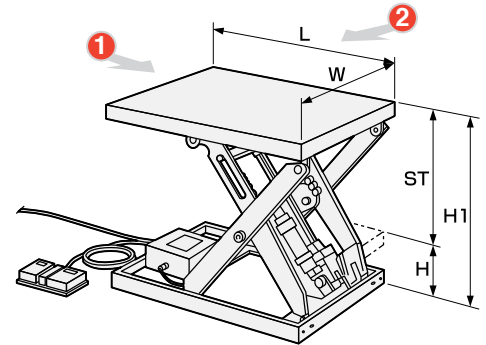
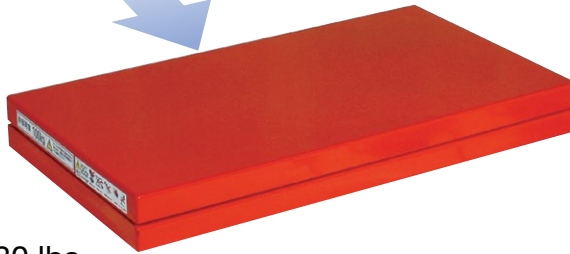
**C**ompact, space-saving, and thin type which can be placed anywhere.

**MAJOR FEATURES OF THE ML SERIES**

- 3.2 in. ultra-low platform (no external units)
- SPM motor
- Vector control
- Dry ball screw cylinder
- No oil leaks
- No hydraulic drift
- 115 V single-phase power supply
- Built-in unit
- Maximum starting frequency 10 times per minute  
Maximum usage frequency 30 times per hour
- Maximum/minimum limit switch
- Foot switch with LED Cord: 78.7 in.
- Power cord: 118.1 in.
- Bellows type provides full cover (with 'J' at the end)



ML-100-47V



**Load capacity:** 220 / 330 lbs

Unit: inch

	Model	Load capacity	Table dimensions (W x L)	Stroke (ST)	Table height (H to H1)	Duration of lifting and lowering in seconds	Motor output Watts	Deadweight
<b>Standard</b>	ML-100-47V	220 lbs	15.7"×28.3"	19.6"	3.2" to 22.8"	10	70	79 lbs
	ML-100-58V		20.5"×33.5"					93 lbs
	ML-150-45V	330 lbs	15.7"×19.7"	13.7"	3.2" to 16.9"			68 lbs
	ML-150-56V		20.5"×24.8"					77 lbs
<b>Bellows</b>	ML-100-58VJ	220 lbs	20.5"×33.5"	19.6"	3.2" to 22.8"	10	70	104 lbs
	ML-150-56VJ	330 lbs	20.5"×24.8"	13.7"	3.2" to 16.9"			86 lbs

\* Bellows cannot be installed in a standard type.

**Note** When loading from the side of the table, please do so in the following manner: from side ① load less than or equal to 1/2 of the loading capacity (see table), and from side ② load less than or equal to 1/4 of the loading capacity (see table).

**Note** Not for use as a welding table.

# MLM Mechanical-Electric Lift (Ball Screw, Electric) Mini

**C**ompact, space-saving, and thin type which can be placed anywhere.



MLM-100-46WV-12

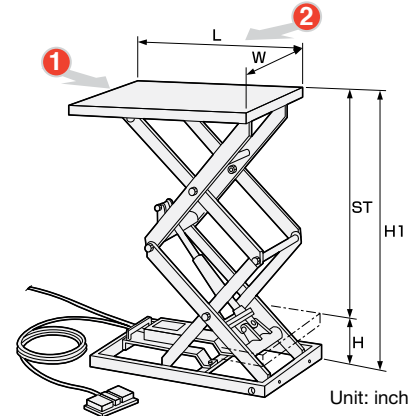
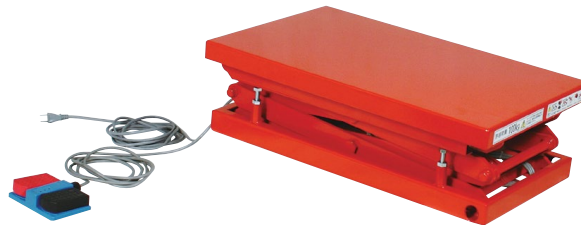
**MAJOR FEATURES OF THE MLM**

- SPM motor
- Vector control
- Dry ball screw cylinder
- No oil leaks
- No hydraulic drift
- 115 V single-phase power supply
- Built-in unit
- Maximum starting frequency 10 times per minute
- Maximum usage frequency 30 times per hour
- Maximum/minimum limit switch
- Foot switch with LED Cord: 78.7 in.
- Power cord: 118.1 in.
- Bellows type provides full cover (with 'J' at the end)



MLM-250-58VJ

*During Lowering*



Unit: inch

**Load capacity: 220 / 551 lbs**

	Model	Load capacity	Table dimensions (W x L)	Stroke (ST)	Table height (H to H1)	Duration of lifting and lowering in seconds	Motor output Watts	Deadweight	
<b>Standard</b>	MLM-100-46V-12	220 lbs	15.7"×25.6"	16.8"	5.2" to 22.0"	10	70	71 lbs	
	MLM-100-56V-12		19.7"×25.6"					75 lbs	
	MLM-100-58V-12		20.5"×33.5"					88 lbs	
	<b>Standard</b>	MLM-250-47V-12	551 lbs	15.7"×28.3"	19.5"	6.0" to 25.5"	22	70	99 lbs
		MLM-250-58V-12		20.5"×33.5"					110 lbs
		MLM-100-46WV-12	220 lbs	15.7"×25.6"	33.4"	7.9" to 41.3"	23	70	93 lbs
		MLM-100-56WV-12		19.7"×25.6"					97 lbs
MLM-100-58WV-12	20.5"×33.5"	110 lbs							
<b>Bellows</b>	MLM-100-58VJ-12	220 lbs	20.5"×33.5"	16.8"	5.2" to 22.0"	10	70	108 lbs	
	MLM-250-58VJ-12	551 lbs		19.6"	6.0" to 25.6"	22	70	132 lbs	
	MLM-100-58WVJ-12	220 lbs		33.4"	7.9" to 41.3"	23	70	130 lbs	

\* Bellows cannot be installed in a standard type.

**Note** When loading from the side of the table, please do so in the following manner: from side ① load less than or equal to 1/2 of the loading capacity (see table), and from side ② load less than or equal to 1/4 of the loading capacity (see table).

**Note** Not for use as a welding table.